

AURORALIGHT

MICRO CASCADE INSTALL GUIDE

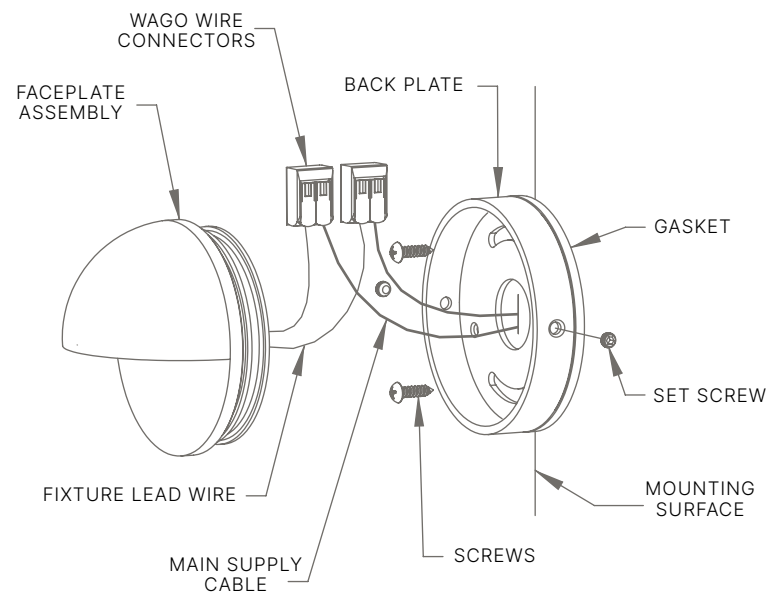
STW636103 / STW636203

REQUIRED TOOLS:

3/32" Allen Key (Included)
Wire Cutter / Stripper
Philips Head Screwdriver
3/4" Drill Bit

INSTRUCTIONS:

1. To prevent electrical shock, disconnect transformer from electrical supply and make sure power supply is completely off before installation. Fixtures should always be installed by a licensed electrician.
2. Remove the **faceplate assembly** from the **back plate** by loosening the **set screws** on the sides (see figure).
3. Drill a 3/4" to 1" hole into the **mounting surface** in the desired mounting location.
4. Center the **back plate** on the hole and screw it down with the provided **screws** (use provided anchors if mounting in stone or tile).
5. Feed your **main supply cable** through the hole and the center of the **back plate** (see figure).
6. Connect the **main supply cable** to the **fixture lead wires** using the **wago wire connectors** (see figure).
7. Neatly place excess wire and connectors in the **back plate** then slide the **faceplate assembly** in until it stops.
8. Rotate the **faceplate assembly** until it is level then tighten down the **set screws** on the sides to hold it in place (see figure).



TIP: Small gauge cable is vulnerable to damage in the landscape; Protect by routing in close proximity to the luminaire or adjacent to concrete slab or similar structure. Do not over tighten.

P. 760.931.2910

E. techsupport@auroralight.com

O. 2742 Loker Ave. W Carlsbad CA 92010

W. www.auroralight.com

WARNING: Luminaire must be installed in accordance with local codes and the National Electrical Code (NEC). Failure to do so may result in serious injury and or damage to the luminaire.

WARNING: Risk of electric shock. Install per NEC Code 680.22(B (6), if listed low voltage luminaires are to be located near a pool, spa or fountain.